

Characteristics

Material

- Galvanized Steel (EN 10346 DX51D+Z)
- Body : 1.5 mm
- Door : 1.5 mm
- Mounting plate : 1.5 mm

Surface Finishing

- RAL7035w powder coated outer surface

IP Rating

- IP65 (TS 3033, EN 60529)

Others

- Solid door
- EMC gasket in door
- Conductive interior surface
- 135° concealed hinges
- 5mm Double-bit insert chrome coated zamak lock



On Request

- Special sizes
- Special colour
- Pre-punching
- Special mounting plate

Supply Includes

- Body
- EMC gasketed sealed door
- Mounting plate
- 4 pcs wall brackets

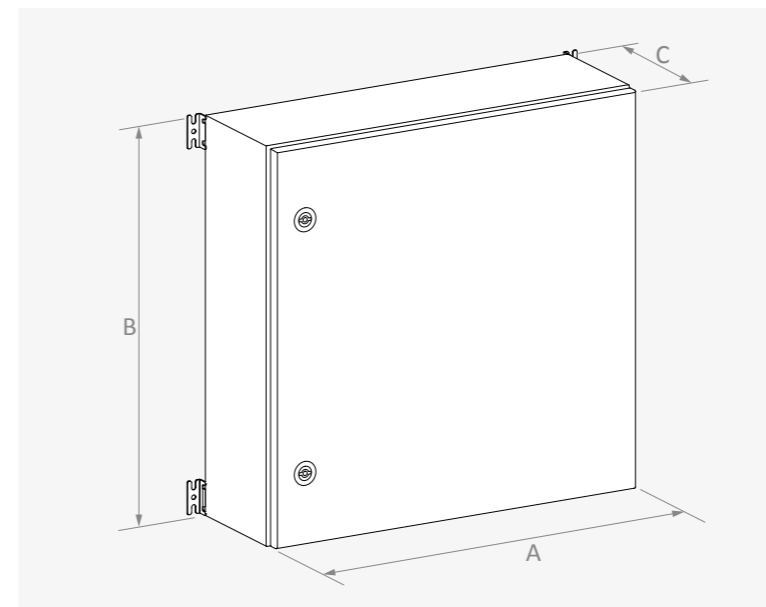
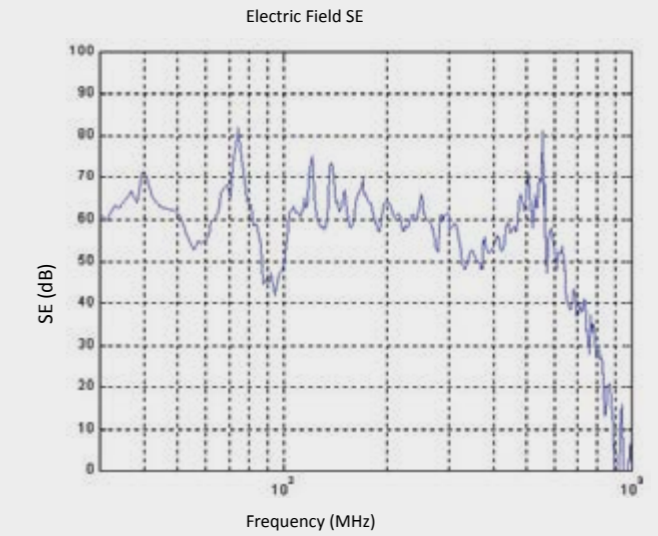
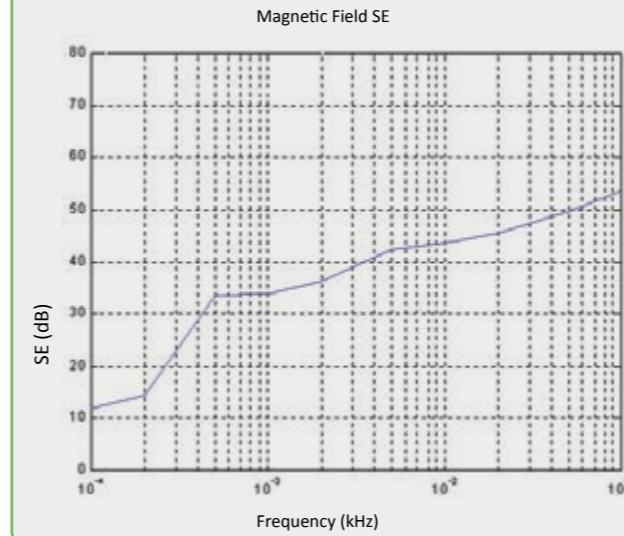
Complementary Accessories

- DIN rail
- Door inside mounting profile
- Earthing cable

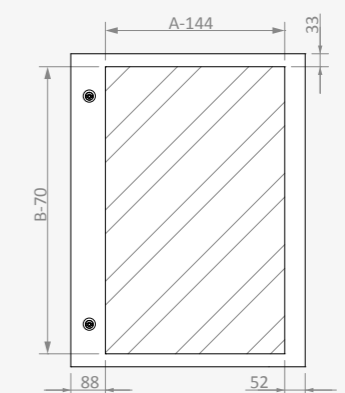


| Width A | Height B | Depth C | Reference | Door pcs | Lock Type * | Lock pcs | Hinge pcs | Wall Brackets pcs | Wall Mounting | | Mounting Plate | | Weight kg |
|------------|-------------|------------|------------|-------------|-------------------|-------------|--------------|-------------------------|---------------|-----|----------------|-----|--------------|
| | | | | | | | | | ↔ | ↕ | ↔ | ↕ | |
| mm | mm | mm | | | | | | | mm | mm | mm | mm | |
| 400 | 400 | 200 | ESE 040420 | 1 | C | 1 | 2 | 4 | 424 | 348 | 350 | 330 | 9.3 |
| | 600 | 200 | ESE 040620 | 1 | C | 2 | 2 | 4 | 424 | 548 | 350 | 530 | 12.7 |
| 600 | 600 | 200 | ESE 060620 | 1 | C | 2 | 2 | 4 | 624 | 548 | 550 | 530 | 16.1 |
| | 1000 | 300 | ESE 061030 | 1 | C | 2 | 3 | 6 | 624 | 948 | 550 | 930 | 28.1 |

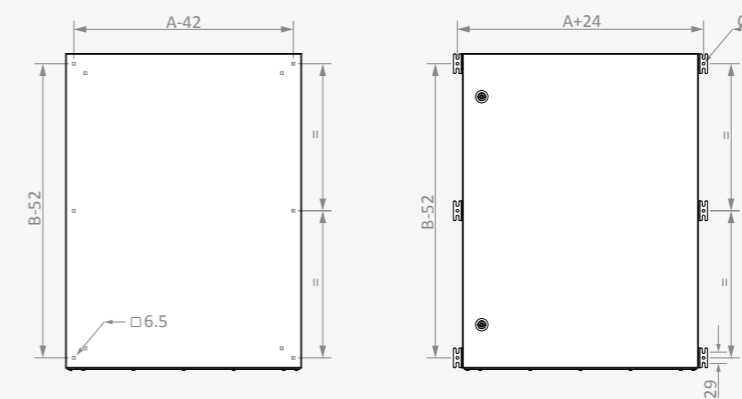
Shielding Effectiveness (SE)



SOLID DOOR USEFUL AREA



WALL MOUNTING



MOUNTING PLATE

