

Characteristics

Material

- Sheet Steel (EN 10130 DC01)
 - Body : 1.2 / 1.5 mm
 - Door : 2 mm
 - Plinth : 2 mm
- Galvanized Steel (EN 10346 DX51D+Z)
 - Mounting plate : 2 mm

Surface Finishing

- RAL7035w powder coating

IP Rating

- IP54 (TS 3033, EN 60529) (PT)

Others

- Foamed-in door PU sealing gasket
- Removable rear panel
- Depth adjustable mounting plate
- Top lid stopper
- Facility for double mounting plate

On Request

- Special sizes
- Special colour
- Pre-punching
- Special mounting plate



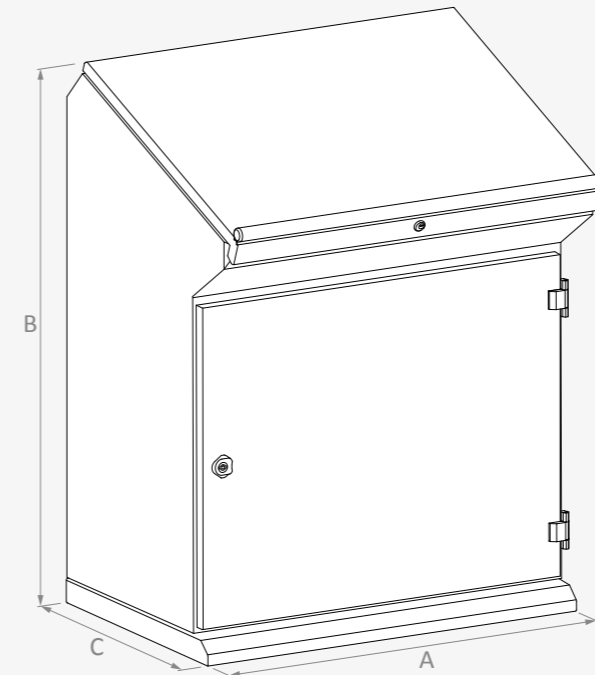
Supply Includes

- Body
- Door and lids
- Plinth
- Mounting plate
- 4 pcs side rails

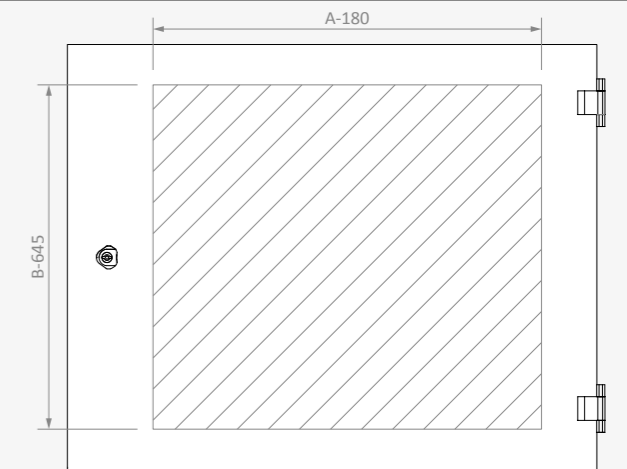
Complementary Accessories

- Door inside mounting profile
- Plan pocket
- Earthing cable

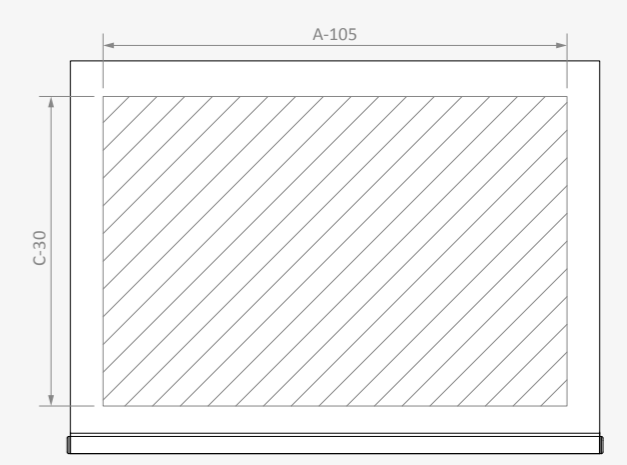
Width A	Height B	Depth C	Reference	Lower Door ad	Removable Rear Panel ad	Useful Area						Mounting Plate		Weight kg
						Top Lid		Lower Door		Rear Panel		↔ mm	↕ mm	
						↔ mm	↕ mm	↔ mm	↕ mm	↔ mm	↕ mm			
600	1065	400	PT 061040	1	1	495	370	420	420	500	790	502	802	49.8
		500	PT 061050	1	1	495	470	420	420	500	790	502	802	54.7
800	1065	500	PT 081050	1	1	695	470	620	420	700	790	702	802	65.0
		600	PT 081060	1	1	695	570	620	420	700	790	702	802	69.8
1000	1065	500	PT 101050	2	1	895	470	320 + 320	420	900	790	902	802	75.6
		600	PT 101060	2	1	895	570	320 + 320	420	900	790	902	802	81.2
1200	1065	600	PT 121060	2	1	1095	570	420 + 420	420	1100	790	1102	802	91.6



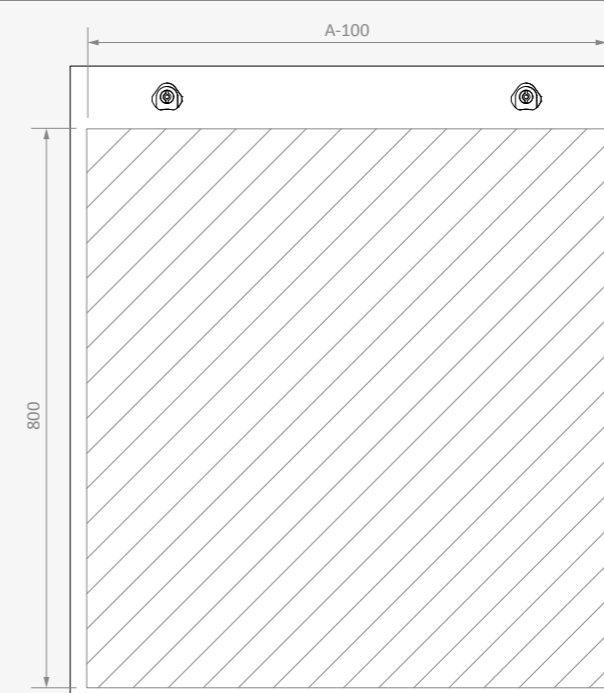
LOWER DOOR USEFUL AREA



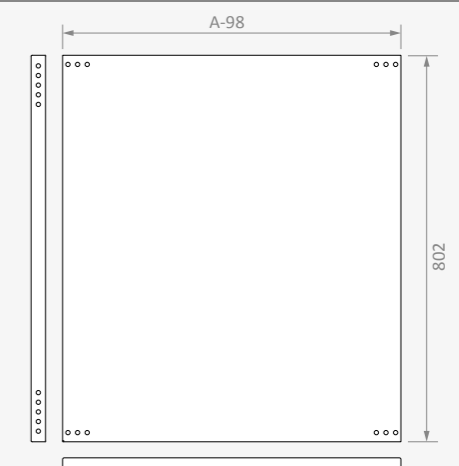
TOP LID USEFUL AREA



REAR PANEL USEFUL AREA



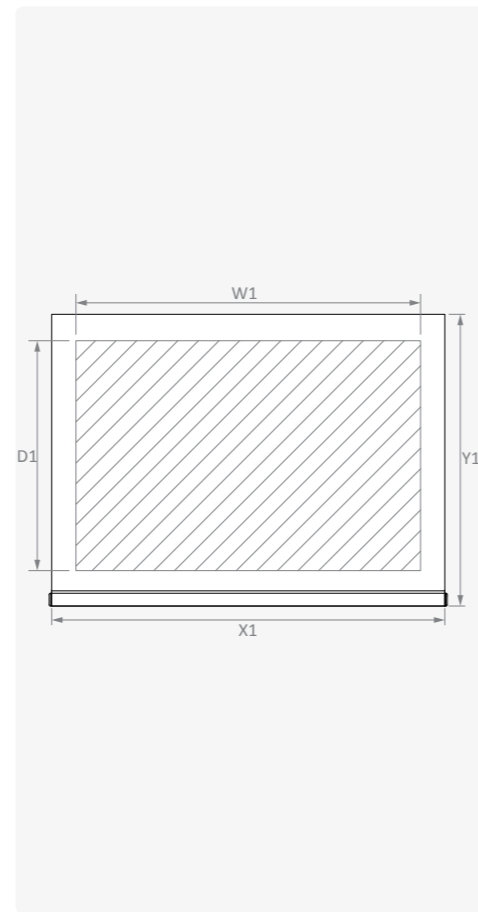
MOUNTING PLATE



TOP LID

Reference	Width		Depth		Useful Area		Lid	Lock Type	Hinge	Weight
	A mm	C mm	X1 mm	Y1 mm	W1 mm	D1 mm				
PT TAV0640	600	400	596	511	495	370	1	C	2	3.6
PT TAV0650	600	500	596	611	495	470	1	C	2	4.3
PT TAV0850	800	500	796	611	695	470	1	C	2	5.8
PT TAV0860	800	600	796	711	695	570	1	C	2	6.7
PT TAV1050	1000	500	996	611	895	470	1	C	2	7.3
PT TAV1060	1000	600	996	711	895	570	1	C	2	8.4
PT TAV1260	1200	600	1196	711	1095	570	1	C	2	10.2

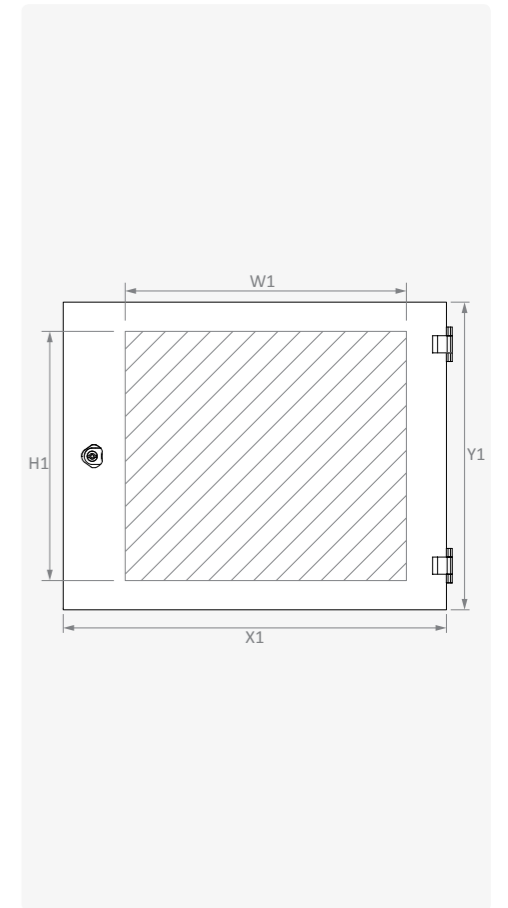
Characteristics		Supply Includes	
Material	DIN EN 10130 DC01 CCRS	Lock	
Surface Finishing	RAL7035w powder coating	Hinges	
Thickness	1.5 mm	* C: Quarter Turn	



LOWER DOOR

Reference	Width		Height		Useful Area		Door	Lock Type	Hinge	Weight
	A mm	B mm	X1 mm	Y1 mm	W1 mm	H1 mm				
PT KP0610	600	1065	580	625	420	420	1	C	2	5.8
PT KP0810	800	1065	780	625	620	420	1	C	2	7.8
PT KP1010	1000	1065	490 + 490	625	320 + 320	420	2	C	4	9.8
PT KP1210	1200	1065	590 + 590	625	420 + 420	420	2	C	4	11.8

Characteristics		Supply Includes	
Material	DIN EN 10130 DC01 CCRS	Lock	
Surface Finishing	RAL7035w powder coating	Hinges	
Thickness	2 mm	* C: Quarter Turn	



MOUNTING PLATE

Reference	Width		Height		Wide			Length			Connection			Weight kg
	A mm	B mm	X1 mm	Y1 mm	X2 mm	Y2 mm	X3 mm	n						
AS TS 0609	600	1065	502	802	441	680	420	4			7.8			
AS TS 0809	800	1065	702	802	641	680	620	4			10.5			
AS TS 1009	1000	1065	902	802	841	680	820	6			27.2			
AS TS 1209	1200	1065	1102	802	1041	680	1020	6			36.6			

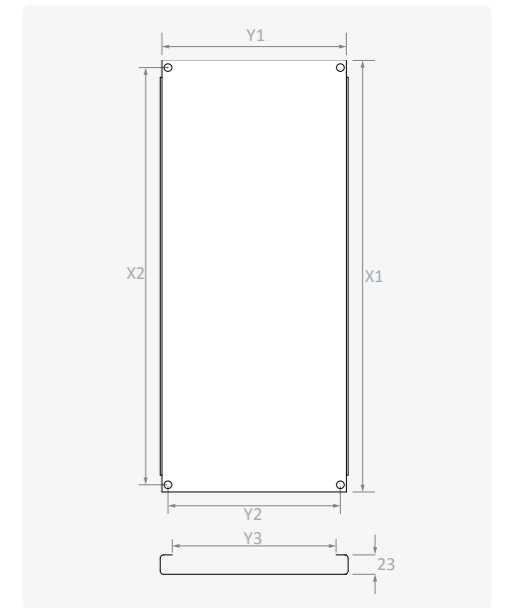
Characteristics		Supply Includes
Material	DIN EN 10327 DX51D+Z galvanized	Mounting screws
Thickness	2 mm	Carriage slide support and fasteners



PARTIAL MOUNTING PLATE

Reference	Width		Length			Connection		Weight kg
	A mm	X1 mm	Y1 mm	Y3 mm	X2 mm	Y2 mm		
AS TSK 0616	600	512	160	130	495	140	1.7	
AS TSK 0622	600	512	220	190	495	200	2.2	
AS TSK 0628	600	512	280	250	495	260	2.7	
AS TSK 0636	600	512	360	330	495	340	3.3	
AS TSK 0816	800	712	160	130	695	140	2.4	
AS TSK 0822	800	712	220	190	695	200	3.1	
AS TSK 0828	800	712	280	250	695	260	3.8	
AS TSK 0836	800	712	360	330	695	340	4.7	
AS TSK 1016	1000	912	160	130	895	140	3.1	
AS TSK 1022	1000	912	220	190	895	200	4.0	
AS TSK 1028	1000	912	280	250	895	260	4.8	
AS TSK 1036	1000	912	360	330	895	340	6.0	
AS TSK 1216	1200	1112	160	130	1095	140	3.8	
AS TSK 1222	1200	1112	220	190	1095	200	4.8	
AS TSK 1228	1200	1112	280	250	1095	260	5.9	
AS TSK 1236	1200	1112	360	330	1095	340	7.3	

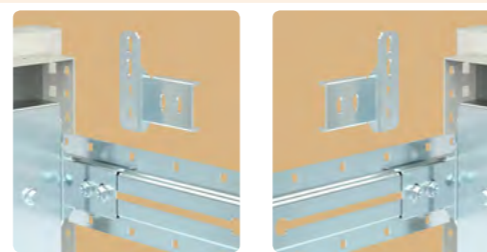
Characteristics		Supply Includes
Material	DIN EN 10327 DX51D+Z galvanized	Mounting screws
Thickness	2 mm	



MOUNTING PLATE FIXING BRACKETS

Reference	Type	Connection	Weight
			kg
AS FB 010 L	Side Connection	Left	0.1
AS FB 010 R	Side Connection	Right	0.1

Characteristics		Supply Includes
Material	DIN EN 10327 DX51D+Z galvanized	Side rail mounting fasteners
Thickness	2 mm	



ASFB010R

ASFB010L

PARTIAL MOUNTING PLATE FIXING BRACKETS

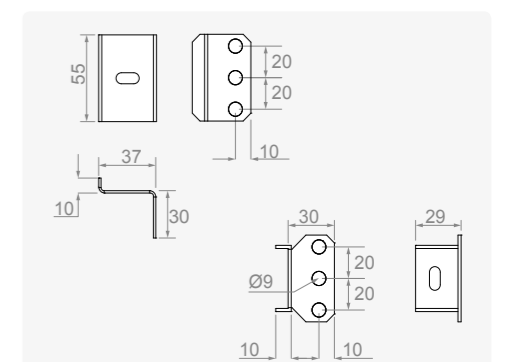
Reference	Connection	Weight	Characteristics	
		kg	Material	Thickness
AS FB 020	Vertical	0.05	DIN EN 10327 DX51D+Z galvanized	2 mm
AS FB 030	Horizontal	0.05	Supply Includes Side rail mounting fasteners	



AS FB 020



AS FB 030

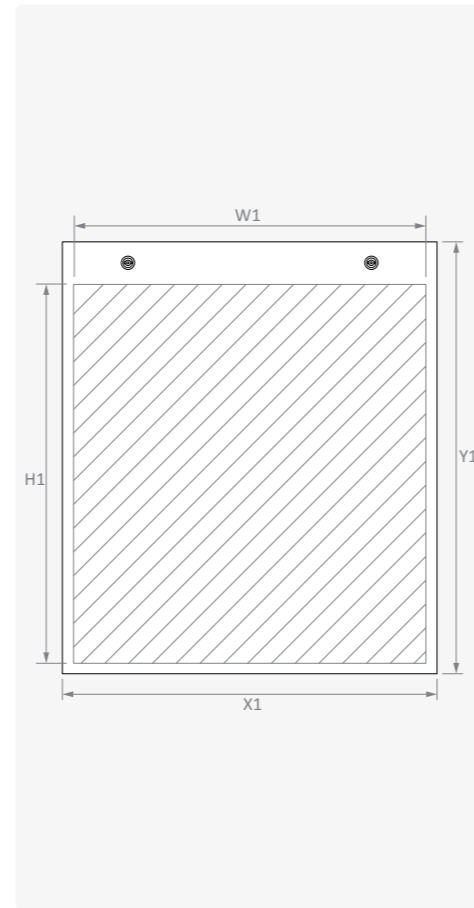


REAR PANEL

Reference	Width		Height		Useful Area		Rear Panel	Lock	Lock Type	Weight
	A mm	B mm	X1 mm	Y1 mm	W1 mm	H1 mm				
PT ST0610	600	1065	560	875	500	790	1	2	C	5.8
PT ST0810	800	1065	760	875	700	790	1	2	C	7.9
PT ST1010	1000	1065	960	875	900	790	1	2	C	10
PT ST1210	1200	1065	1160	875	1100	790	1	2	C	12

Characteristics	
Material	DIN EN 10130 DC01 CCRS
Surface Finishing	RAL7035w powder coating
Thickness	1.5 mm

Supply Includes	
Lock	
* C: Quarter Turn	

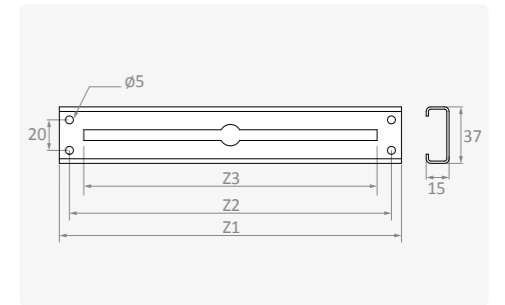


SIDE RAILS

Reference	Depth	Length	Connection		Weight
	C mm	Z1 mm	Z2 mm	Z3 mm	
AS SR 040	400	224	211	192	0.2
AS SR 050	500	324	311	292	0.3
AS SR 060	600	424	411	392	0.4

Characteristics	
Material	DIN EN 10327 DX51D+Z galvanized
Thickness	1.5 mm

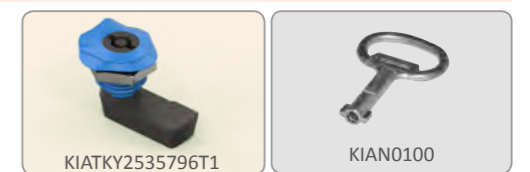
Supply Includes	
Mounting screws	



LOCK AND KEYS

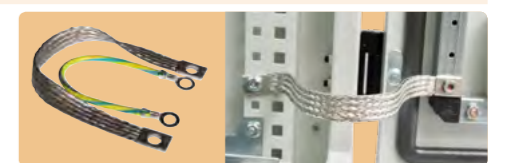
Reference	Lock Type	Material		Description	Key Code
		Casing	Cam	Key Type	
KIATKY2535796T1	C	Polyamide	Polyamide	5 mm Double-bit	KIAN 0100

* C: Quarter Turn; I: Escutcheon
 ** Keys should be ordered separately.



EARTHING CABLE

Reference	Material	Cross Section	Length	Connection	Packet	Weight
		mm ²	mm			
KB TP 16092750	Nickel plated, braided copper conductor	16	275	M8-M8	50 pcs/packet	0.2 kg/packet
KB TP 16093500		16	320	M8-M8	50	0.2



PLAN POCKETS

Reference	Width		Length			Weight
	A mm	X1 mm	Y1 mm	Z1 mm		
AS PJ 040	All Dimensions		A4	200	30	0.4
AS PJ 060	600/1200		A3	240	60	1.9
AS PJ 080	800		A3	240	60	2.6

Characteristics	
Material	DIN EN 10130 DC01 CCRS
Surface Finishing	RAL7035w powder coating
Thickness	1.5 mm

Supply Includes	
Mounting fasteners to fix door reinforcement frame	

