

Characteristics

- Material**
- Sheet Steel (EN 10130 DC01)
 - Body : 1.2 / 1.5 mm
 - Door : 1.5 mm
 - Plinth : 2 mm
 - Galvanized Steel (EN 10346 DX51D+Z)
 - Mounting plate : 2 mm
- Surface Finishing**
- RAL7035w powder coating
- IP Rating**
- IP55 (TS 3033, EN 60529) (PTE)
- Others**
- Foamed-in door PU sealing gasket
 - Top lid stopper



On Request

- Special sizes
- Special colour
- Pre-punching
- Special mounting plate



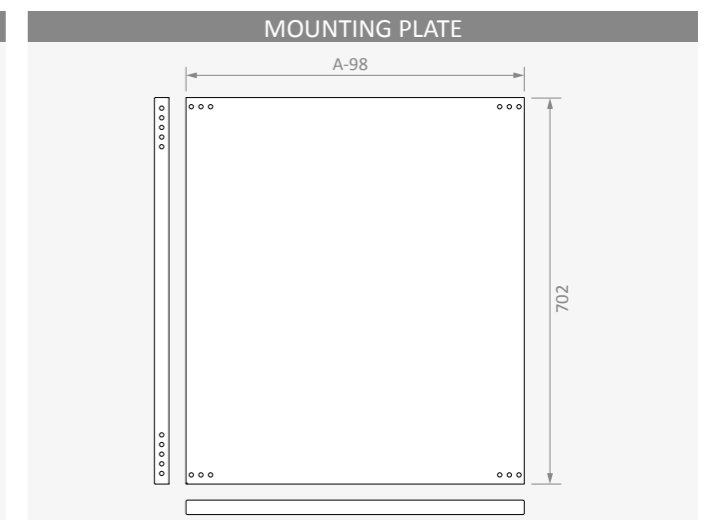
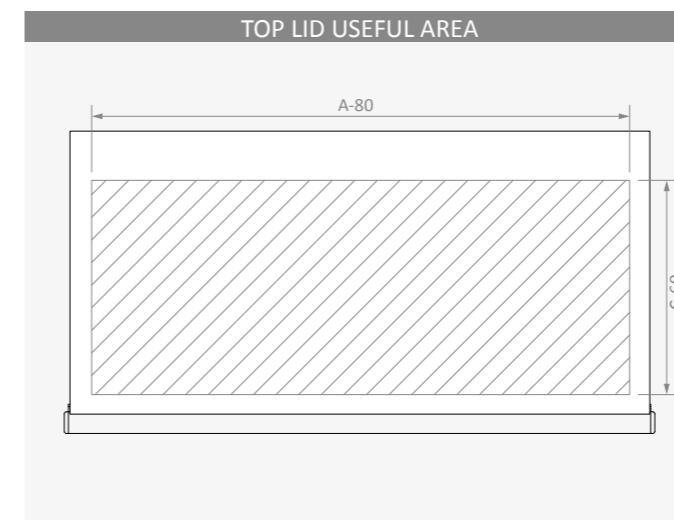
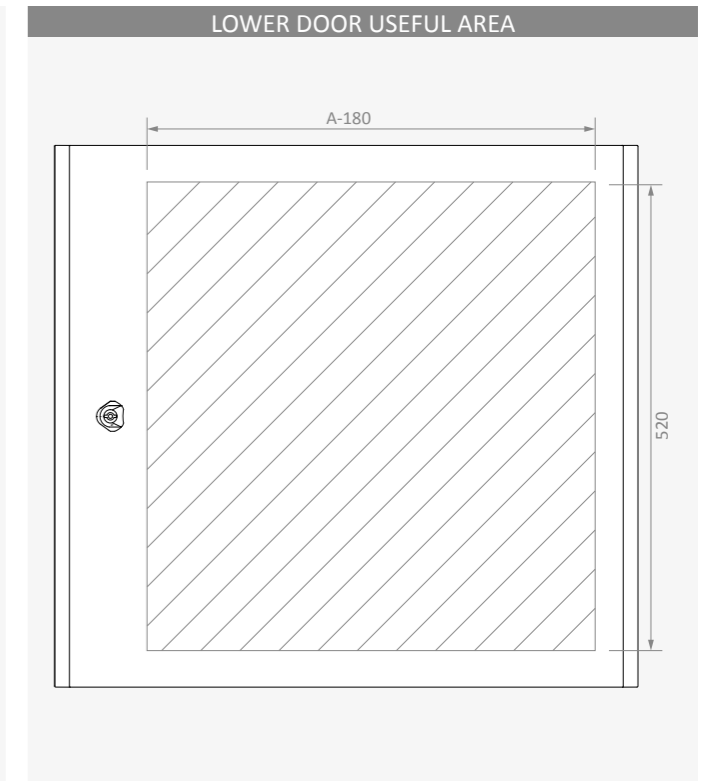
Supply Includes

- Body
- Door and lids
- Mounting plate

Complementary Accessories

- Door inside mounting profile
- Plan pocket
- Earthing cable

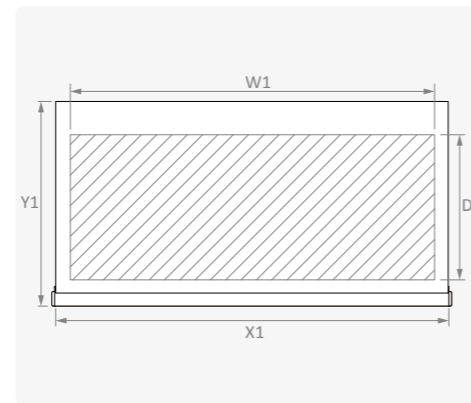
Width	Height	Depth	Reference	Lower Door	Useful Area				Mounting Plate		Weight
					Top Lid		Lower Door		↔	↕	
					↔	↕	↔	↕			
A	B	C			mm	mm	mm	mm	mm	mm	kg
mm	mm	mm	pcs		mm	mm	mm	mm	mm	mm	kg
500	1065	330	PTE 051033	1	420	270	320	520	402	702	29.7
600	1065	330	PTE 061033	1	520	270	420	520	502	702	24.8
700	1065	330	PTE 071033	1	620	270	520	520	602	702	39.9



TOP LID

Reference	Width		Depth		Useful Area		Lid	Hinge	Weight
	A	C	X1	Y1	W1	D1			
PTE TAV0533	500	330	500	406	420	270	1	2	2.4
PTE TAV0633	600	330	600	406	520	270	1	2	2.9
PTE TAV0733	700	330	700	406	620	270	1	2	3.4

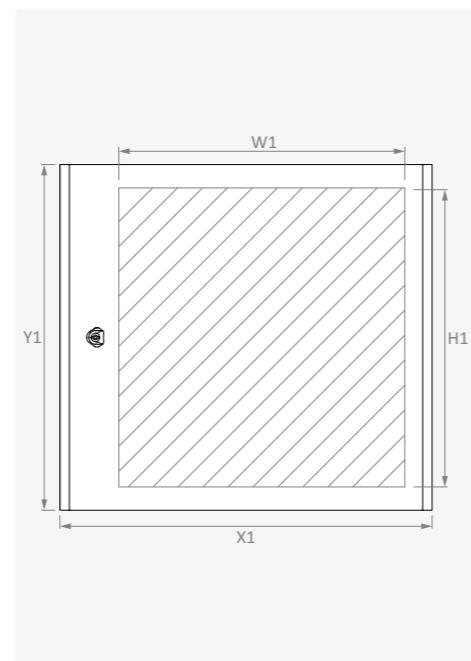
Characteristics		Supply Includes	
Material	DIN EN 10130 DC01 CCRS	Lock	
Surface Finishing	RAL7035w powder coating	Hinges	
Thickness	1.5 mm	* C: Quarter Turn	



LOWER DOOR

Reference	Width		Height		Useful Area		Door	Lock Type	Hinge	Weight
	A	B	X1	Y1	W1	H1				
PTE KP0510	500	1065	495	650	320	520	1	C	2	3.8
PTE KP0610	600	1065	595	650	420	520	1	C	2	4.6
PTE KP0710	700	1065	695	650	520	520	1	C	2	5.4

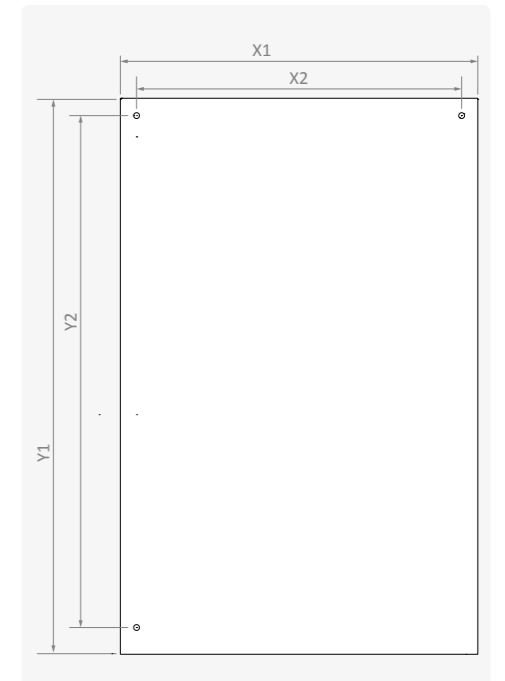
Characteristics		Supply Includes	
Material	DIN EN 10130 DC01 CCRS	Lock	
Surface Finishing	RAL7035w powder coating	Hinges	
Thickness	1.5 mm	* C: Quarter Turn	



MOUNTING PLATE

Reference	Width		Height		Connection		Connection	Weight
	A	B	X1	Y1	X2	Y2		
PTE TS 0510	500	1000	400	800	350	750	4	7.8
PTE TS 0610	600	1000	500	800	450	750	4	10.5
PTE TS 0710	700	1000	600	800	550	750	6	27.2

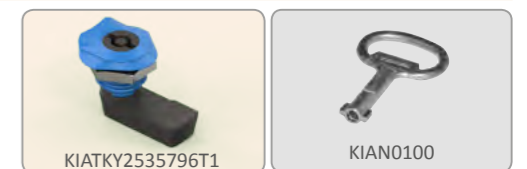
Characteristics		Supply Includes	
Material	DIN EN 10327 DX51D+Z galvanized	Mounting screws	
Thickness	2 mm		



LOCK AND KEYS

Reference	Lock Type	Material		Description	Key Code
		Casing	Cam		
KIATKY2535796T1	C	Polyamide	Polyamide	5 mm Double-bit	KIAN 0100

* C: Quarter Turn; I: Escutcheon
** Keys should be ordered separately.



EARTHING CABLE

Reference	Material	Cross Section	Length	Connection	Packet	Weight
		mm ²				
KB TP 16092750	Nickel plated, braided copper conductor	16	275	M8-M8	50	0.2
KB TP 16093500		16	320	M8-M8	50	0.2

